



## Capacitance Level Transmitter ( CAPTRANCE )

### PRINCIPAL

The Capacitance Level Transmitter is compact, low cost microcontroller based level transmitter with 4-20 mA analogue out-put designed to measure the level of various liquids, and solid in tank or storage vessels. Measuring range of Capacitance Level Transmitter is 0.25 to 3 m for rod probe version. The probe of Capacitance Level Transmitter forms an electrical capacitor with the surrounding metal container wall, or with auxiliary reference probe. With the vessel empty, initial capacitance exists between the electrode and the metal wall or the auxiliary reference probe. When the probe becomes covered with material to be measured the capacitance will increase and the change will be measured and converted into an analogue (4-20 mA) output signal proportional to the change. Rod or flexible cable can be used for various conductive or non-conductive liquids.

### Features

- Fast and Easy Installation
- Calibration method by pushbuttons.
- No maintenance issue.
- No effect of turbulence in the tank.
- High Reliability
- Suitable for the highly dusty environment.

### Applications

- Acids
- Acetone
- Ammonia Benzene
- Feed water
- CTC
- Diesel
- Oil
- Fruit juice
- Milk
- Wine

### Parts

The parts of Fuel level Transmitter are explained in figure 1. All dimensions are in millimeters.

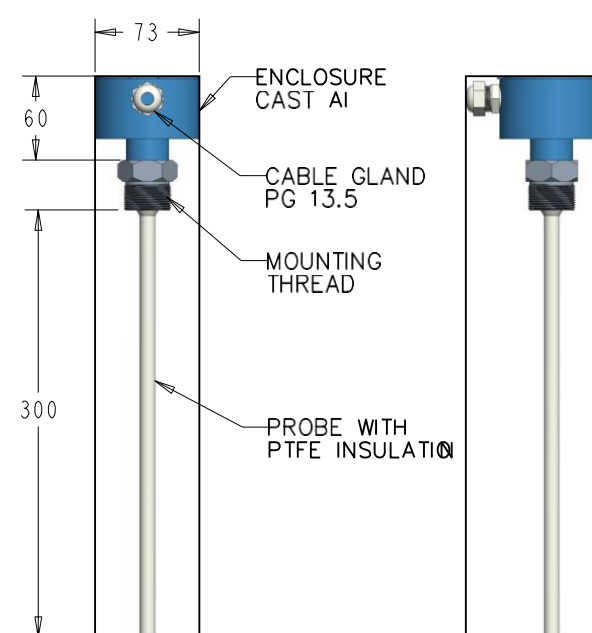


Figure 1 : Fuel Level Transmitter

## JAYCEE TECHNOLOGIES PVT. LTD.

An ISO 9001-2008 C E Certified Company

Shed No. 7, Nanekar Industries Building, Survey No. 79/2,

Dangat Industrial Estate, Shivane, Pune - 411 023, India

Contact No. : 07447401743

Email : jayceetech@gmail.com

Website : WWW.jayceetech.com



## Technical Specification

Measuring range	: 0.25 to 3m (Rod), 1 to 20m (Rope)
Probe Material	: Stainless steel rod /Rope insulated partly or fully with PTFE
Medium Temp	: 20Deg C to 80 Dec C
Special Version	: Up to 200 Deg C
Electronics	: -25oC to +65oC
Output	: 4-20 mA ( 2 wire loop power)
Supply voltage	: 12-30 V DC
Mounting Connection	: 1/2" BSP Standard for Rod probe, Min 1" BSP for rope type , others as per request & application

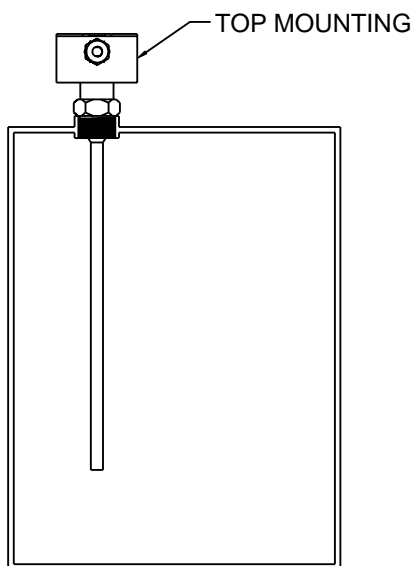


Figure 3 : Mounting Arrangement

## Model Selection

### CAPTRANS

#### Enclosure (E)

- 1 - Weatherproof IP-65
- 2 - Flameproof

#### Temperature (T)

- 1 -Standard Temperature Up to 80°C
- 2 -High Temperature max 200°C

#### Probe Type (Pt)

- 1 - Rod Type
- 2 - Rope Type

#### Probe Length (PI)

- 1 -Standard Probe Length For Rod Type  
200 mm
- 2 -Extended Probe Length for Rod Type  
Up to 3000 mm
- 3 -Extended Probe Length for Rope Type  
500 - 5000 mm
- 4 -Special (please consult)

#### Mounting Arrangement(M)

- 1 - Threaded BSP/NPT
- 2 -Flanged ; 3 - Others

#### Wetted Part (W)

- 1 - SS304
- 2 - SS316
- 3 - Others

CAPTRANCE	E	T	Pt	PI	M	W
5420	1	1	2	2	1	1