

Hydronix

Digital Microwave Moisture Sensor for
Bins, Silos and Conveyors

Hydro-Probe



THE ORIGINAL – THE LEADER – THE BEST

Hydro-Probe

Digital microwave moisture sensor for bins, silos and conveyors

The Hydro-Probe is a rugged, microwave moisture measurement sensor designed to be installed in bins, silos and conveyors in process control environments.

Measuring at 25 times per second and with on-board functionality such as signal processing and averaging, the Hydro-Probe accurately measures the moisture content of material as it flows over the ceramic faceplate. Remote configuration, calibration, diagnostics and firmware upgrades are simple using Hydronix Hydro-Com software. The linear output allows direct integration with any control system using industry standard interfaces.

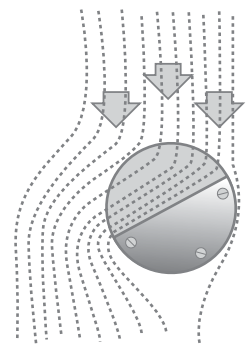


Features

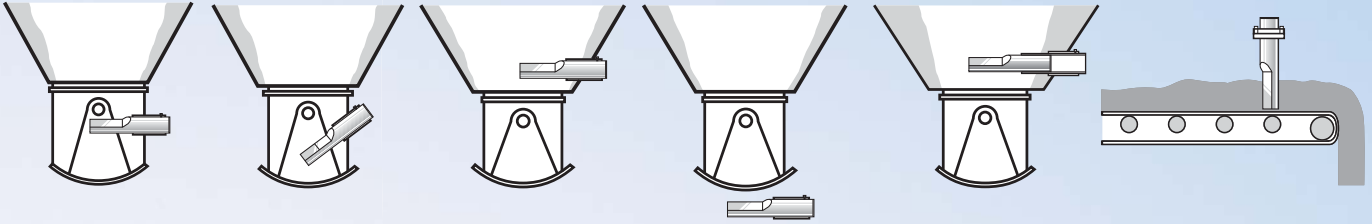
- Digital technology provides precise linear moisture measurement with 25 readings per second.
- Advanced Digital Signal Processing provides a clear signal with rapid response.
- Fully temperate compensated measurement.
- Two analogue outputs, digital RS485 communications and configurable digital inputs/output, alarms.
- Remote communication with Hydro-Com software allows configuration of all sensor parameters.
- Consistent performance with no need for recalibration except for use with different materials.
- Calibration data points stored within the sensor for improved quality control.
- Stand alone or simple integration into a new or existing automation system.
- The Averaging Mode provides a continuous “average” moisture over a batch.
- Averaging, “Bin Empty” and “High Moisture” Alarms and Signal Processing are performed internally by the sensor.

Angle of Sensor

Ensures continuous flow over the sensor



Typical Installation



The Hydro-Probe offers a choice of installation options to suit all bin types and conveyor applications. This ensures that the sensor measures the most representative sample of material.

Connectivity

Digital Connection

Up to 16 Hydro-Probe sensors may be daisy chained to connect directly to a control system via the RS485 serial communications link.



Direct Connection to Control System or PC

The analogue or RS485 serial interface integrates easily with a control system or PC.



Hydro-View Connection

The Hydro-Probe can be connected to a Hydro-View to provide a continuous moisture display. It also enables the sensor to be easily calibrated if calibration facilities are not available on a PC or control system.



Networking

Network up to 16 sensors using one standard Ethernet connection with the Ethernet Adapter Kit. Power over Ethernet option also available.



USB Interface

Easily communicate with the sensor using a USB Sensor Interface Module for sensor diagnostics, configuration and firmware upgrades.



Technical Information

Construction

Body: Stainless Steel

Faceplate: Ceramic

Fixing

The sensor must be placed in the flow of material.

Bins and Silos: Install in the neck of a bin or underneath the gate. Standard and Extension Mounting Sleeves are available to suit different bin widths.

Conveyors: Secure in the flow of material.

Operating Temperature

0-60° C. The sensor will not measure ice.

Penetration of Field

Approximately 75-100mm dependent upon material.

Refresh Rate

25 times per second.

Moisture Range

The sensor will measure up to saturation of material.

Analogue Outputs

Two configurable 4-20mA or 0-20mA current loop source available for moisture and temperature. May also be converted to 0-10V DC.

Digital Inputs/Output

2 configurable digital signals available for averaging and alarm functions.

Digital (Serial) Communication

Opto-Isolated RS485 2-wire port.

RS232, Ethernet and USB interfaces available.

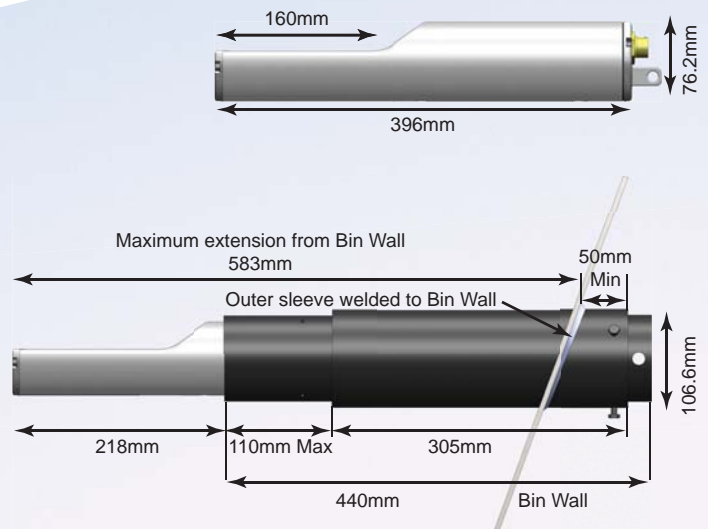
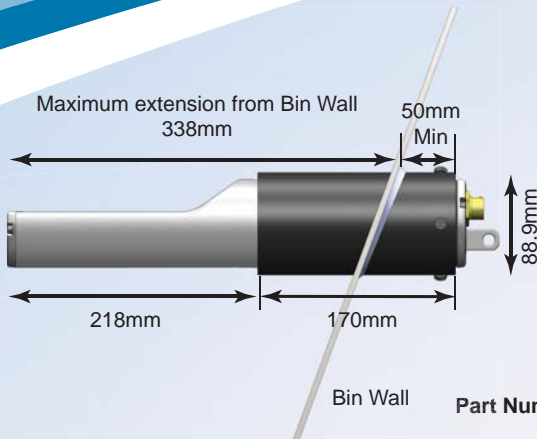
Programming details to access sensor values and parameters are available on request.

Extension Cable

Six twisted pairs, 22AWG, 0.35mm² conductors. Screen braid with 65% minimum coverage plus aluminium/polyester foil. Maximum cable run of 100m.

Power Supply

+15V to +30V DC, 4W.



Hydronix

Head Office - United Kingdom:

Tel: +44 (0)1483 468900

Fax: +44 (0)1483 468919

Email: enquiries@hydronix.com

Central Europe & Southern Africa:

Tel: + 49 2563 4858

France:

Tel: + 33 652 04 89 04

Americas, Spain & Portugal:

Tel: 888-887-4884 (toll free)

or +1 231-439-5000

Part Number

Description

HP04	Hydro-Probe Digital Microwave Moisture Sensor
0025	Standard Mounting Sleeve
0026	Extension Mounting Sleeve
0024X	Flanged Mounting Sleeve (for vertical mounting)
0023	Clamp Ring for use with Flanged Mounting Sleeve
0975A	4m Sensor Cable with military specification sensor connector
0067	Terminal Box (IP66, 10 Terminals)
0116	24VDC Power Supply 30 watt for up to 4 Sensors
0049A	RS232-485 Adapter DIN rail mounting
0049B	RS232-RS485 Converter, 9 pin D-type to Terminal Block
SIM01-A	USB Sensor Interface Module including cables and power supply
EAK01	Ethernet Adapter Kit
EPK01	Ethernet Power Kit
P4EW	4 Year extended warranty option

www.hydronix.com