



VIBRATING FORK LEVEL SWITCH (WASP-7200 SERIES)

PRINCIPAL

The electronically stimulated fork vibrates at its mechanical resonance frequency of about 400 Hz when the fork is free of the service material. The resonance is caused by the piezoelectric crystals. One of the piezo crystals produces a small voltage which is transmitted to the switching amplifier. If the fork is covered by the bulk material, a damping effect is produced and the piezo crystal does not produce the voltage and the amplifier will switch and a corresponding signal output is actuated. The vibration of the fork has self-cleaning properties..

Features

- Fast and Easy Installation
- No effect of electrical properties of the Service material.
- High Reliability.
- Suitable for the highly dusty environment.
- Field selectable operation logic.
- Can be configured either for High or Low level point switching.
- Provides economical solutions, Various model not required. Reduces the Inventory cost.

Applications

- Most liquids with max 10000 mm²/s viscosity.

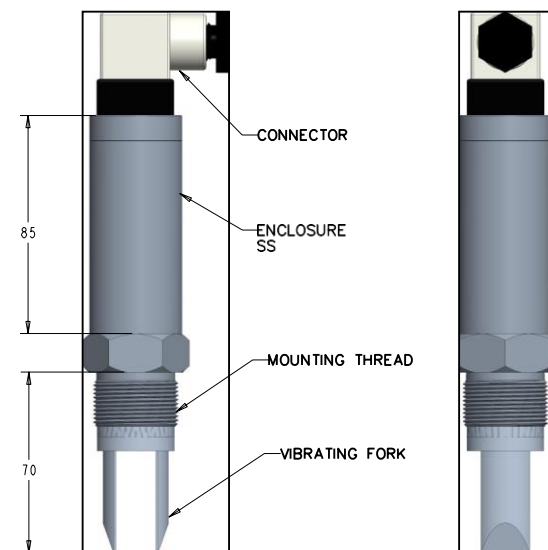


Figure 1 : Vibrating Fork Level Switch (WASP)

Models

WASP 7230 : 1.8Khz frequency, steel Pipe housing. PNP/NPN DC output

WASP 7210 Ex. : 1.8Khz frequency, weatherproof IP 65 flameproof as per BIS standard vide CIMFRTc/sR/H642 DT16tA2t20 and PESO certificate no A/P/HQ/MH/104/2738(P302245)

JAYCEE TECHNOLOGIES PVT. LTD.

An ISO 9001-2008 C E Certified Company

Shed No. 7, Nanekar Industries Building, Survey No. 79/2,

Dangat Industrial Estate, Shivane, Pune - 411 023, India

Contact No. : 07447401743

Email : jayceetech@gmail.com

Website : WWW.jayceetech.com



Technical Specification

| | |
|------------------------------|--------------------------------------------------------------------------|
| Housing | : Steel/ Aluminum, weather proof, powder coated. Integral with the probe |
| Cable entry | : PG / DIN Connector |
| Ambient temperature | : 0 ° C to +60° C |
| Power consumption | : 0.3VA |
| Mains Voltage | : 18 to 30 V DC |
| Output | : PNP/NPN Transistor output |
| NO/NC Switch status display: | Green LED shows Normal, Red LED shows alarm. |
| Mounting | : Screwed 1" BSP/NPT (standard) Or Flanged (optional) |
| Sense | : Fork, Stainless steel |
| Extension | : Pipe (optional) in extended type |
| Length | : 70 mm (standard) up to 3000mm |
| Operating Temp | :Up to 80 Deg |
| Pressure | :Up to 40 Bar (Inside Vessel) |

Model Selection

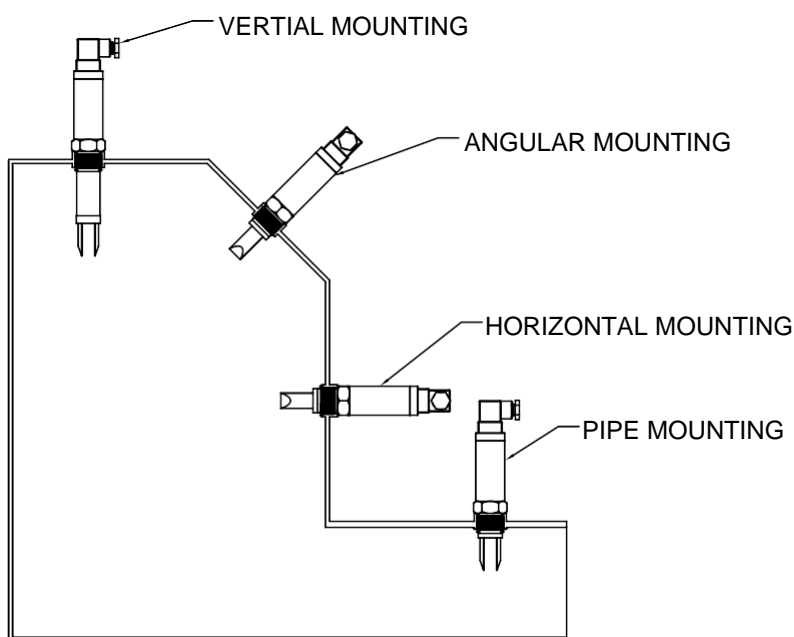
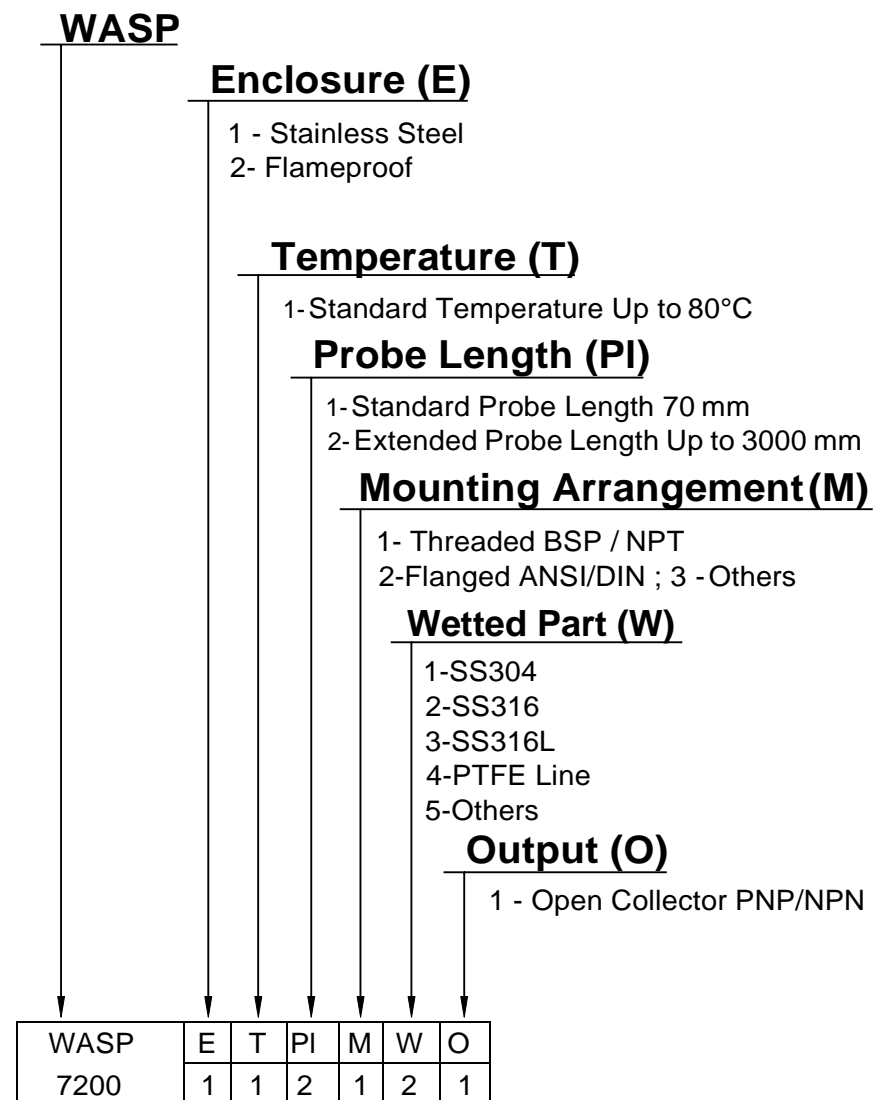


Figure 2 : Mounting Arrangement