



Vibrating Fork Level Switch (JAYCEEFORK 7000 SERIES)

PRINCIPAL

A tuning fork made of SS 316 L is kept vibrating at its resonant frequency of approx 125 Hz(standard) by piezo ceramic elements. when the service material covers the tines of the fork, vibrations are damped. This damping is sensed electronically and the processed signal is used to energize a relay whose contact in turn are used for control.

Features

- Compact instrument, minimum tine length of 125 mm
- No moving parts, no wear and tear, maintenance- free
- Fast switching response 1 sec
- External magnetic key setting in certain model
- High pressure up to 30 bar
- Low power consumption
- No Calibration required

Applications

- Most liquids with max 10000 mm²/s viscosity
- Corrosive, thick, turbulent, flowing liquids
- Powders and light granules with min. density 0.05 kg/dm³

Parts

The parts of vibrating fork level switch are explained in figure

1. All dimensions are in millimeters.

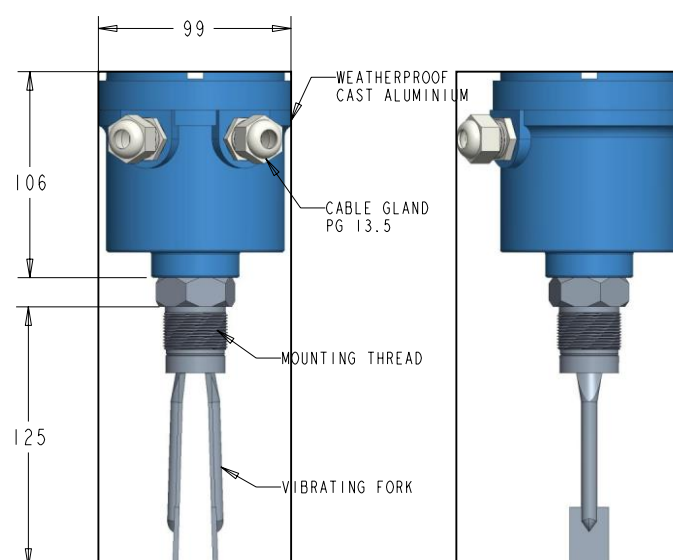


Figure 1 : Vibrating fork level switch

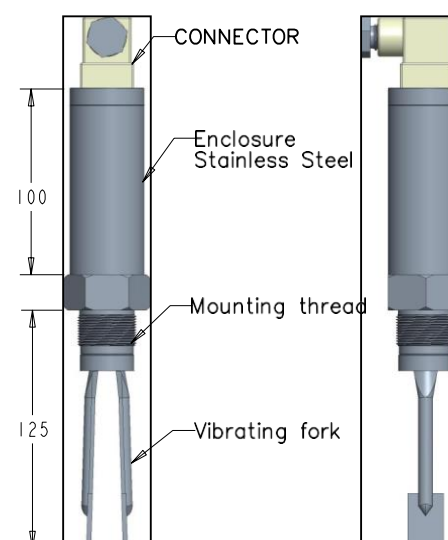


Figure 2 : Vibrating fork (Pipe Fork)

JAYCEE TECHNOLOGIES PVT. LTD.

An ISO 9001-2008 C E Certified Company

Shed No. 7, Nanekar Industries Building, Survey No. 79/2,

Dangat Industrial Estate, Shivane, Pune - 411 023, India

Contact No. : 07447401743

Email : jayceetech@gmail.com

Website : WWW.jayceetech.com

