



Rotating Paddle Level Switch (EROTO 6240 SERIES)

PRINCIPAL

A stepper motor rotate the Paddle slowly An encoder coupled to the paddle shaft produces electrical pulses during its rotation. The pulses are monitored by a microcontroller to monitor its movement. Paddle rotation stops when the material covers it. The microcontroller gets signal from the encoder about the material presence and signal is processed to derive potential free contacts. The microprocessor continuously checks the material presence. The paddle shakes and vibrates to discard the built up material ensuring the material has receded and paddle is free. There after the output status is changed and motor starts rotating smoothly again waiting for the level to come.

Features

- No Clutch, No Gear, No Spring.
- Flexible coupling (optional as per application)
- Robust, dust and watertight housing
- Extended Probe possible.
- Sealed bearings
- Interchangeable paddle assemblies
- Fail safe switch saelectable.
- Time Delay - Field Selected

Applications

- Dry sand & fly ash
- PET / PVC chips with under water detection
- rice, wheat, other food grain, flour
- iron ore, sinters and pulverized coal
- Milk powder

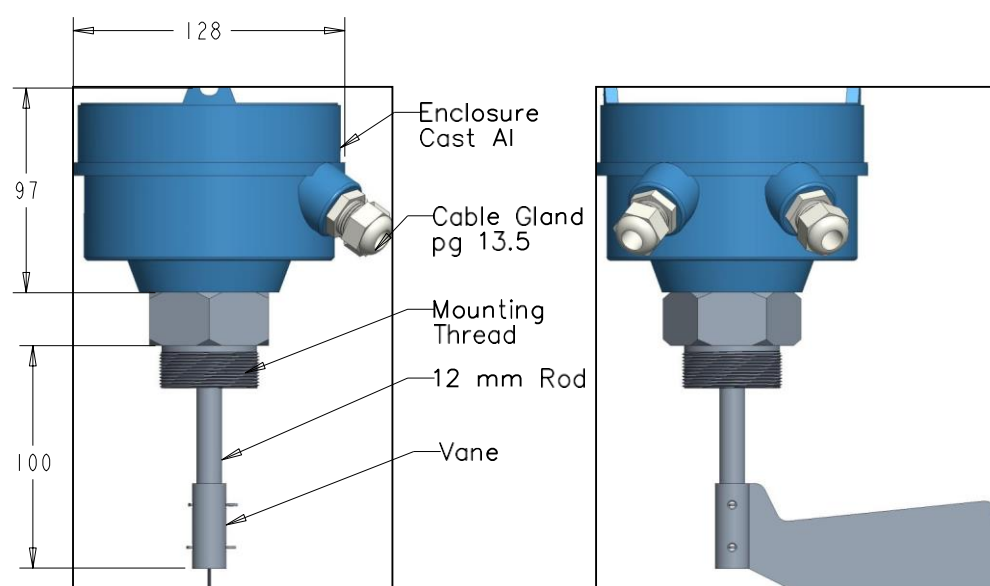


Figure 1 : Rotating Paddle level switch

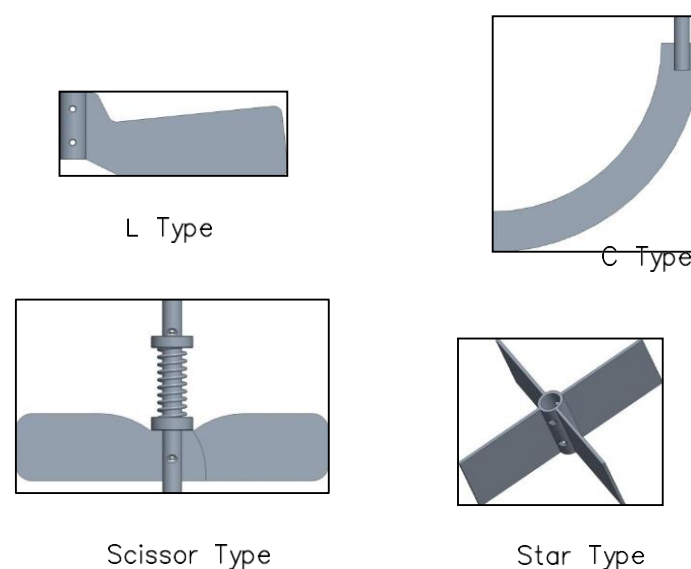


Figure 2 : Types Of Fan

JAYCEE TECHNOLOGIES PVT. LTD.

An ISO 9001-2008 C E Certified Company

Shed No. 7, Nanekar Industries Building, Survey No. 79/2,
Dangat Industrial Estate, Shivane, Pune - 411 023, India

Contact No. : 07447401743

Email : jayceetech@gmail.com Website : WWW.jayceetech.com



Technical Specification

Housing	: Aluminum, weather proof, powder coated. Integral with the probe
Cable entry	: 2 nos.
Mains Voltage	: universal 65 to 260 V AC,50 Hz, or 24 V DC
Fail safe	: Selectable for High or low
Output	: 2 sets of potential free c/o contacts rated at 5 amps, 230 V AC for non-inductive loads
Power consumption	: 8 VA
Mounting	: Screwed 1½" BSP(standard) or Flanged and others (optional)
Sense rod	: Stainless steel, 12 MM DIA
Cable gland	: PG -13, 2 nos. (Polymer)
Insertion length	: 100 mm standard
Extension	: As per application
Revolution per minute	: 8 / minute
Material of wetted parts	: stainless steel
Number of vanes	: Stainless steel, various types available as per application
Process Connection	: 1, 1-1/2" BSP (standard) others on request
Special Version	: 1 Detection of solids under 15 meter water column. 2 Angular probe for bulk material up to 50mm grains size.

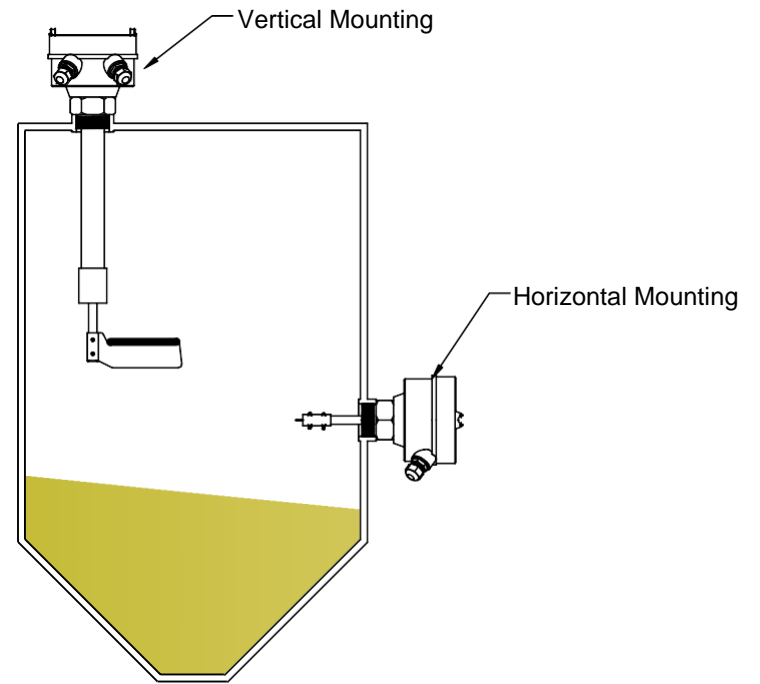


Figure 3 : Mounting Arrangement

Model Selection

EROTO							
	Enclosure (E)						
	1 - Weatherproof IP-65 2 - Flameproof						
	Temperature (T)						
	1 -Standard Temperature Up to 80°C 2 -High Temperature max Up to 220°C						
	Probe Length (PI)						
	1 -Standard Probe Length 100 mm 2 -Extended Probe Length Upto 2000 mm 3 - Extension with protection pipe upto 2000mm 4 - Extended probe (rope type)						
	Mounting Arrangement (M)						
	1 - Threaded BSP / NPT 2 -Flanged ANSI/DIN ; 3 -Others						
	Wetted Part (W)						
	1 -SS304 2 - SS316 3 -Others (consult factory)						
	Output (O)						
	1 - SPDT						
	Fan Type (F)						
	1 - L Type 2 - C Type (Crescent moon) 3 - Star Type 4 - Scissor Type						
EROTO	E	T	PI	M	W	O	F
6240	1	1	2	1	1	1	1